

**inoxSmart**

# ISK-B300

## Installation Instructions



# STEP 1

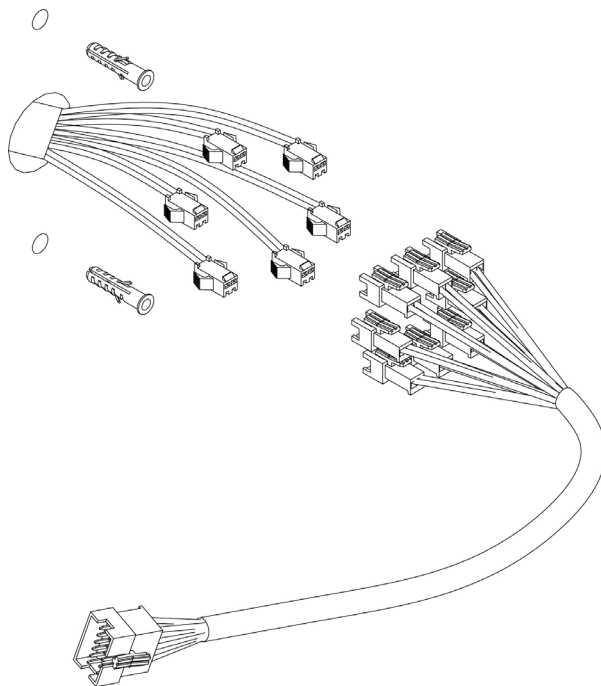
## ISK-B300 Smart Access Controller Installation Instructions



Prep the mounting location by drilling  
holes as shown in the template.

## STEP 2

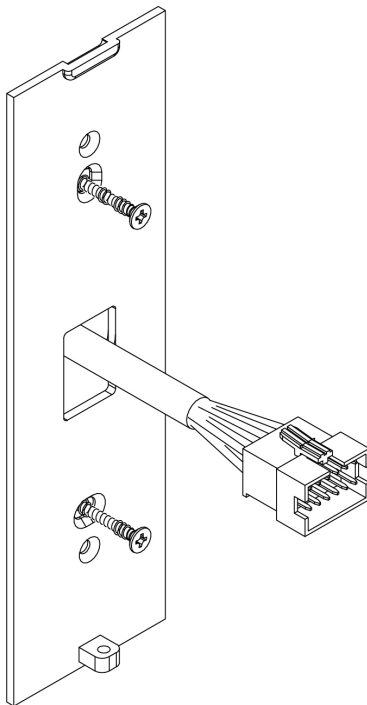
### ISK-B300 Smart Access Controller Installation Instructions



Install anchors. Pull molex wires through the center hole and connect according to wiring diagram. Keep any unused wires isolated and protected.

## STEP 3

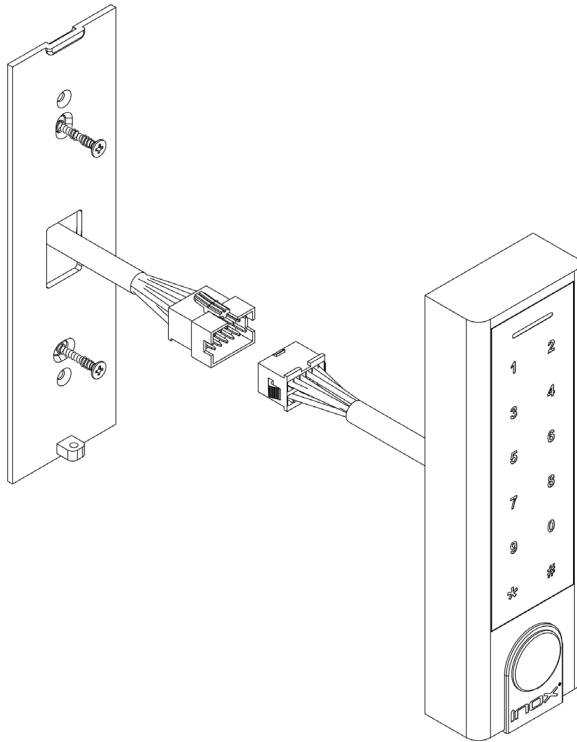
## Installation Instructions



Install screws to mount the sub-plate.

# STEP 4

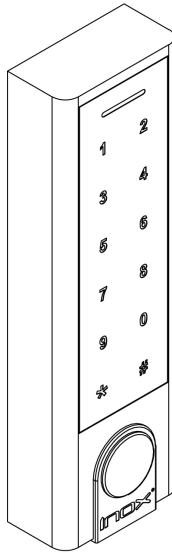
## Installation Instructions



Connect the molex from the ISK-B300 with the molex from the locking device.

# STEP 5

## Installation Instructions



Use the tool provided to fix the smart controller to the sub-plate by installing the tamper resistant screw into the bottom of the unit.



**INOX**Smart.com

INOX® 6 Wayne Court, Sacramento, CA 95829, USA  
Tel: +1 916.388.1888 Fax: +1 916.388.8322 Email: sales@unisonhardware.com