

Mortise Electric Strike - Installation Instruction & Template

PM-ISTM-ML1579FL

This Package Includes:

- | | |
|---|-----------------------------|
| 1 -4 PIN power connector | 5 -M5 x 12 mm screws |
| 1 -3 PIN door status connector | 2 -#10 x 1 1/4" wood screws |
| 1 -EMP1, EMP2, EMP3, EMP4 and EMP5 faceplates | 2 -#10-32 x 1/2" screws |
| 4 -Wire nuts | 2 -Mounting brackets |
| | 2 -Spacers |

1. Description

INOX ES-ML579FL Grade 1 electric strike for mortise and cylindrical locksets offers the very best strike quality and features, with the added value of built-in latch monitoring, four stainless steel faceplates and 'Universal' performance, including field selectable voltage and fail safe/fail secure operation.

2. Specifications

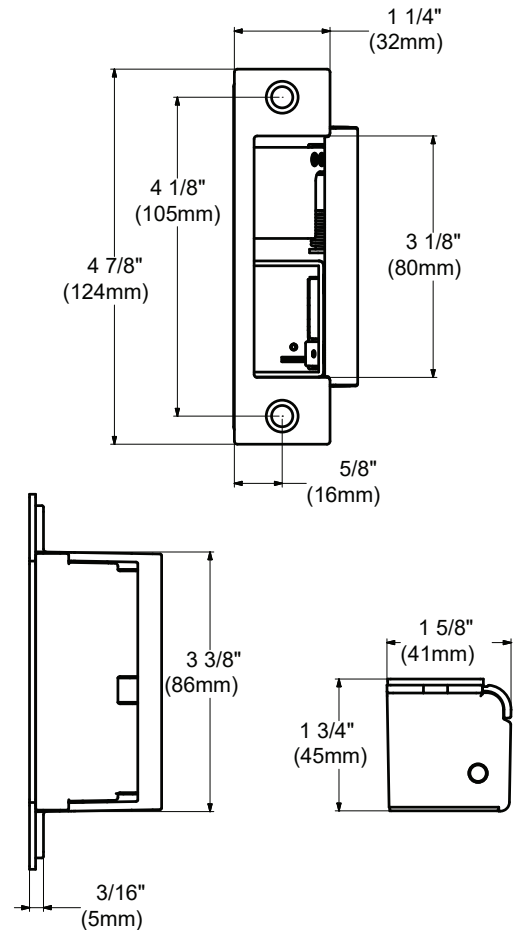
Voltage	12/24V AC/DC
Current Draw	260mA@12V AC/DC 150mA@24V AC/DC
Static Strength	1,500 Lbs.
Dynamic Strength	70 Ft-Lbs.
Endurance	1,500,000 Cycles (Factory Tested) 250,000 Cycles (UL Verified)
Fire Rating	UL 10C/CAN4-S104 3 hrs. (Fail Secure Only)
Mode	Field Selectable Fail Safe/Fail Secure
Operation	AC-Buzz DC-Silent
Duty	Continuous
Latch Bolt Monitor	SPDT, 100mA @ 24V DC
Dimensions (Body)	3 3/8" H x 1 5/8" W x 1 13/4" D (86mm x 41mm x 44mm)



UL 294 Performance Levels

- Line Security = Level I
- Attack Level = Level I
- Endurance Level = Level IV
- Standby Power = Level I

3. Dimensions

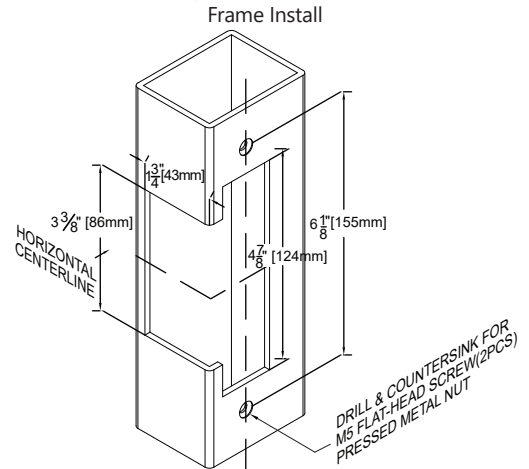
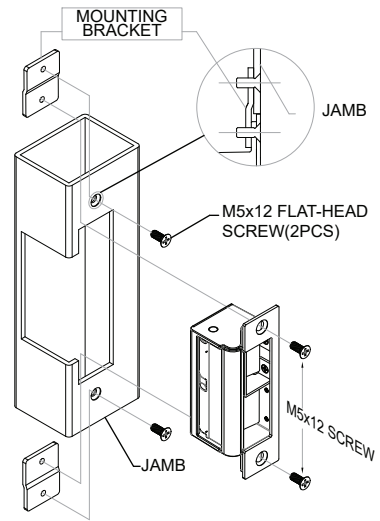


4. Installation

1. Prepare the door jamb as per the appropriate drawing.
2. Install mounting brackets to jamb using M5x12 screws and pressed metal nuts. Do not tighten.
3. Spacers are used to assure flush final assembly of faceplate into jamb. Add one or more spacers between jamb and mounting bracket when face plate extends beyond the jamb. When the faceplate sits inside the jamb, spacers must be added between the mounting bracket & the lip bracket. Make sure the clearance hole in the spacer aligns with the hole in mounting bracket.
4. Connect wires coming from the low voltage side of the transformer to wires from strike.
5. Install electric strike jamb by attaching with # 10-32 screws and lockwashers.
6. Tighten secure M5x12 screws holding mounting brackets to jamb.

Note: The products are intended to be installed in accordance with the installation wiring diagram, mechanical assembly drawings provided with each product, the local authority having jurisdiction (AHJ) and the National Electric Code, NFPA 70. When installed in fail secure mode, the local authority shall be consulted with regard to the use of possible panic hardware to allow emergency exit from the secure area.

The electric door strike shall be installed in such a way and in such a location so as to not impair the operation of an emergency exit device or panic hardware mounted on the door.



Latch Bolt Monitor and Bracket Installation

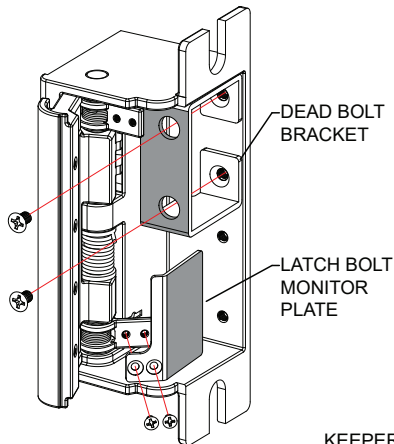


Figure 1

Keeper Shim Installation

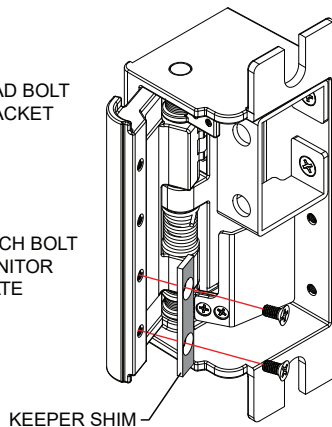


Figure 2

Note: Figures show typical installation. The dead bolt bracket, monitor plate and keeper shims can be mounted in alternate locations depending on RH or LH installation.

5. Connections

POWER

12V AC/DC

Red/Black: +12V
Blue/Green: Ground

24V AC/DC

Red: +24V
Black/Blue: -
Green: Ground

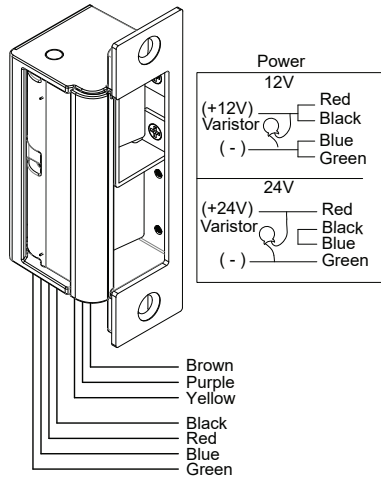
A varistor is provided to protect/prevent strike from spikes. Connect varistor between input wires.

Note: For UL294 / UL1034 compliance the door strikes are to be powered via a UL294/ UL603 class 2 power limited output from a control panel and or power supply. Furthermore, when powered by AC/DC the units shall use a UL regulated UL294/ UL603 power limited class 2 output rated 12/24V with AC on indicator.

6. Installation

Door Status Sensor (Closed position)

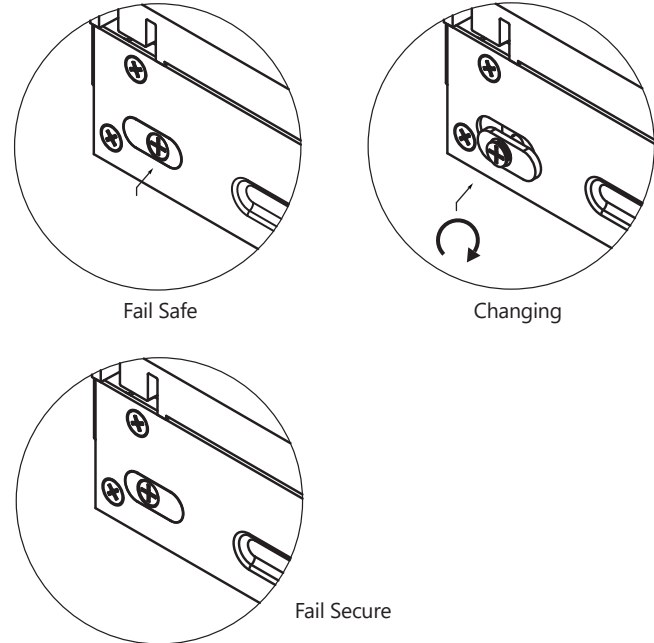
Purple = N/O
Brown = N/C
Yellow = COM



7. Operation

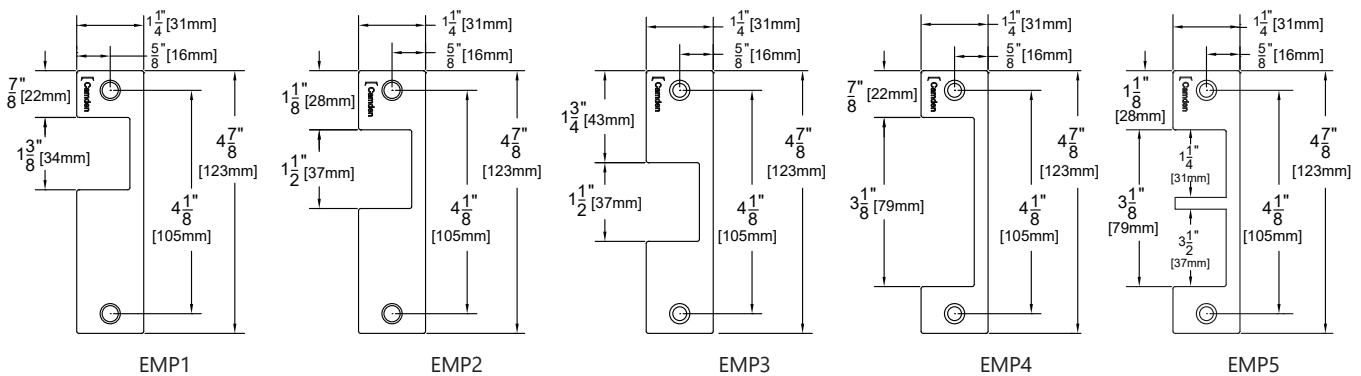
How to modify fail-safe to fail-secure or vice versa.

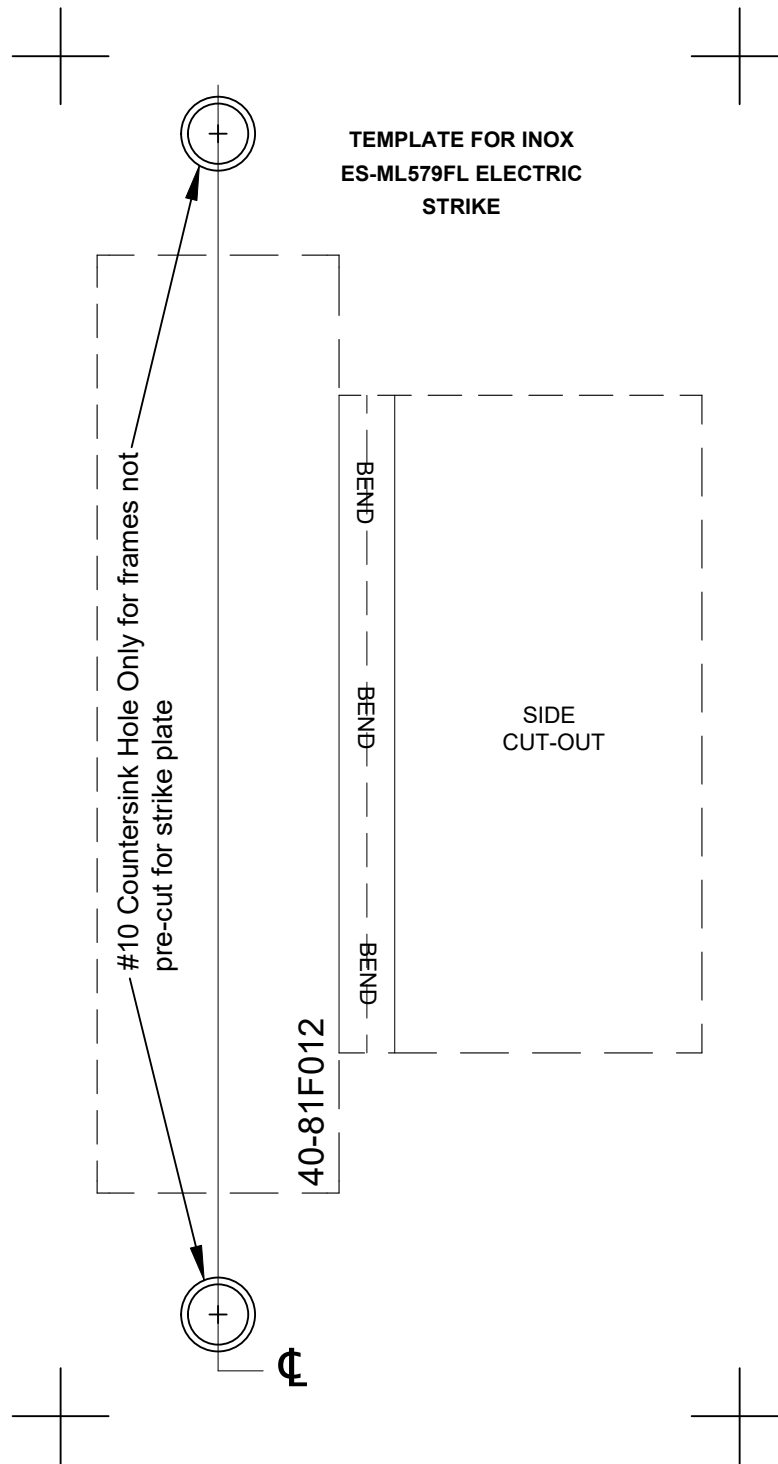
- (1). Loosen the screw as per the product diagram below.
- (2). Rotate the set plate 180° and slide the plate until it is properly seated.
- (3). Tighten the screw.



Note: UL fire rating is only valid while in Fail Secure Mode.

8. Faceplates





For additional support and more information on
INOX Smart products, visit our website at

INOXSmart.com

