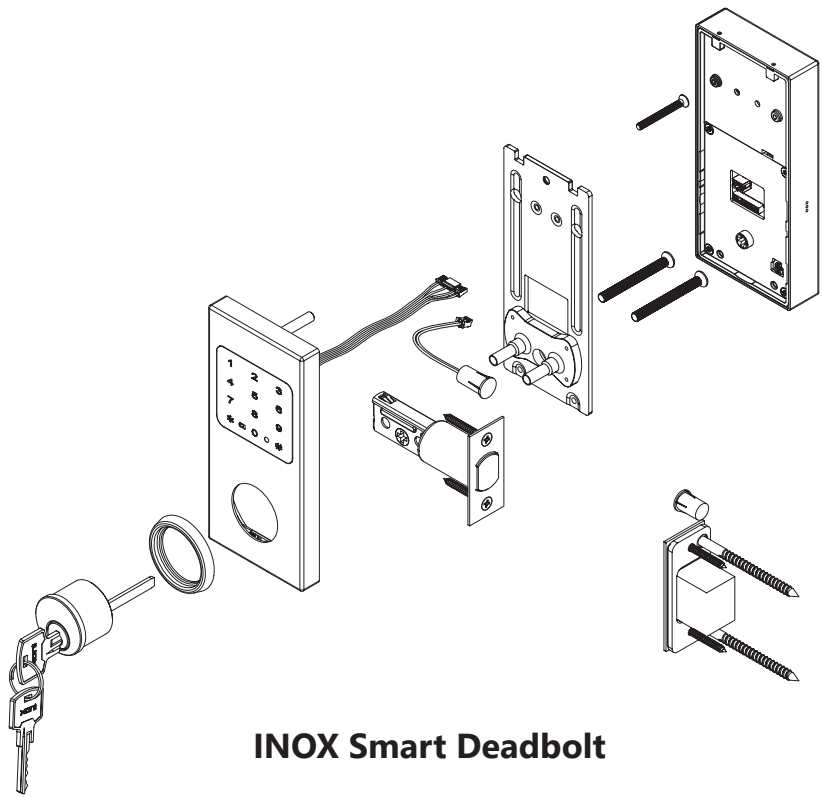


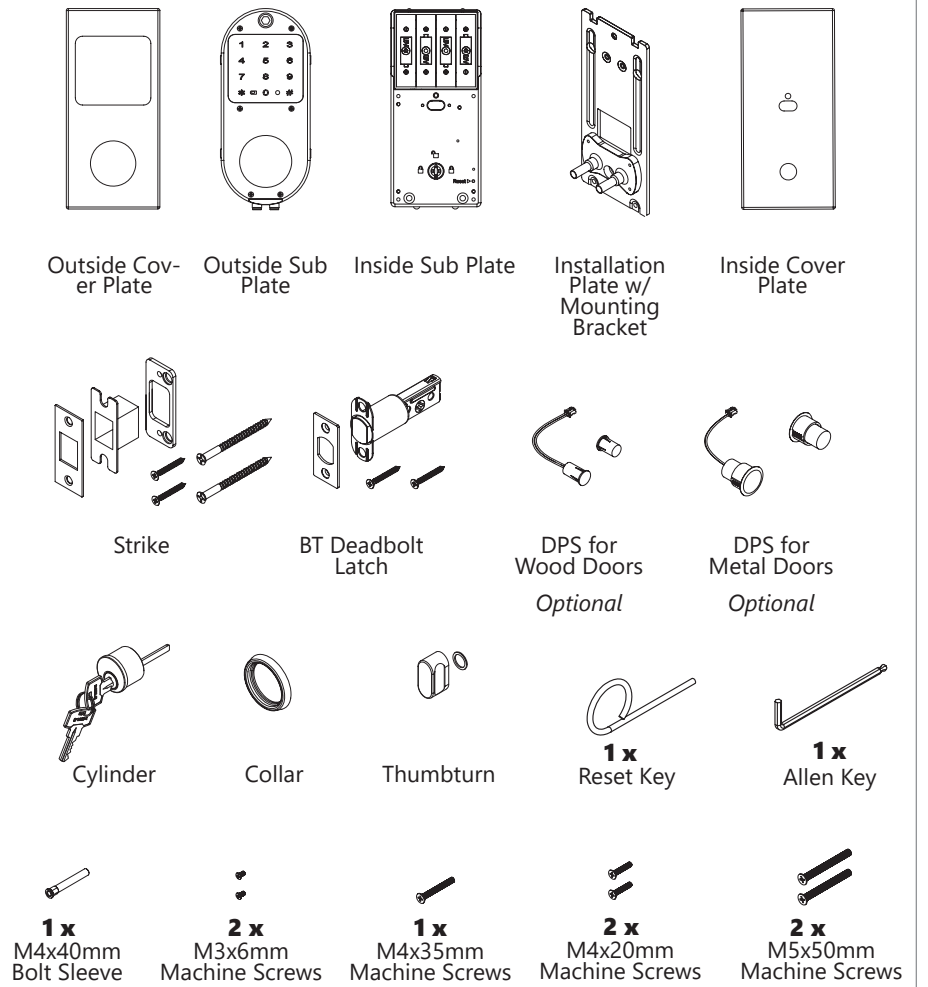
Installation Instructions



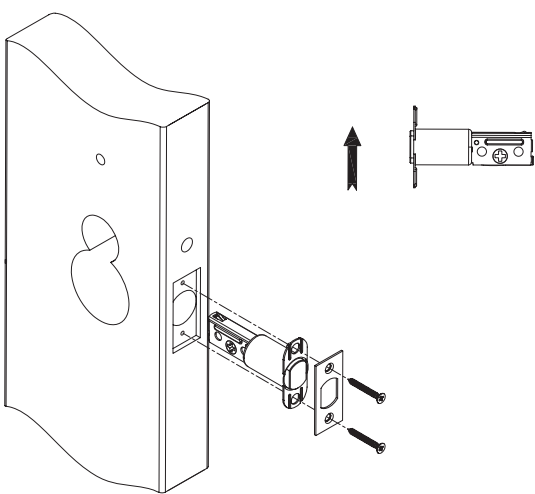
INOX Smart Deadbolt

PM-ISISD110
V20240822

Components List

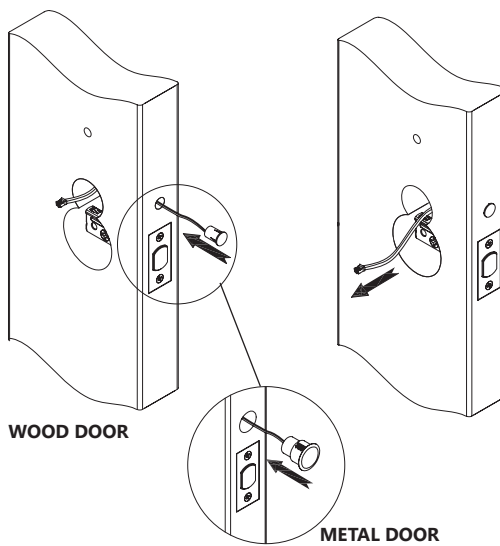


Step 1: Installing Deadbolt on the Door



Attach the faceplates with the provided screw packs using a Phillips screwdriver. Ensure that the deadbolt is in the correct position.

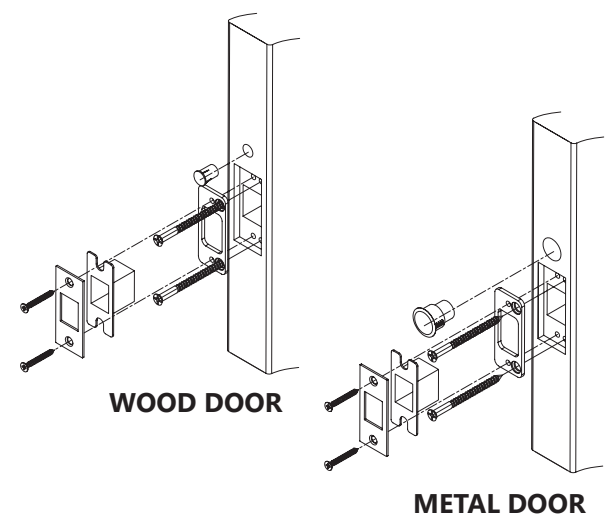
Step 2: Installing DPS on the Door (optional)



NOTE: Door Position Sensor [DPS] is optional, ignore this step if not installed on wood or metal doors.

Thread the wire into the hole opening of the door, pull it from inside of the door through the opening of the door prep.

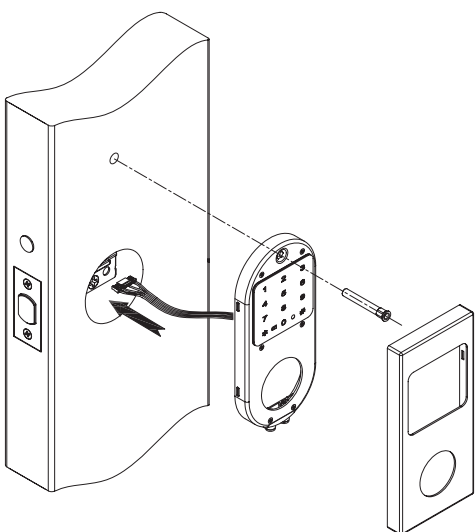
Step 3: Installing Strike/DPS on the Doors Frames



NOTE: Door Position Sensor [DPS] is optional, ignore this step if not installed on wood or metal frame.

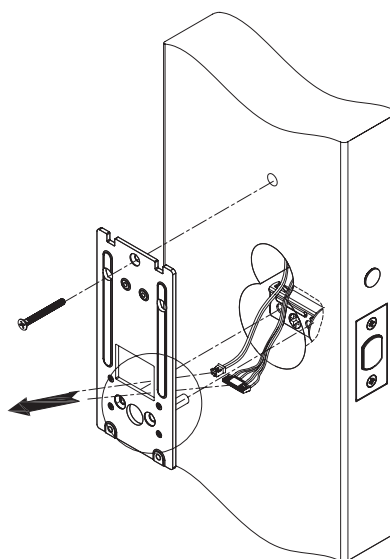
Use the screws provided and install the strike plates for the deadbolt.

Step 4: Mounting Outside Trim



Pass the wire from the outside trim through the prep hole and above the deadbolt. With the templates provided, use the bolt sleeve provided and insert into the top hole. Mounting the outside escutcheon.

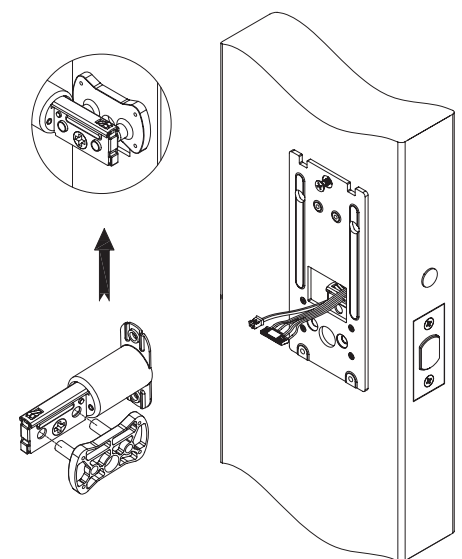
Step 5: Installing Interior Sub-Plate



Pass the wire from the outside escutcheon through the rectangular hole on the interior sub-plate.

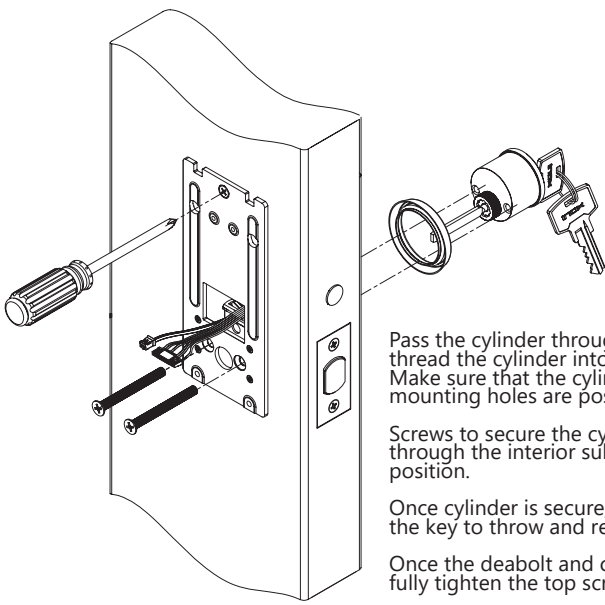
OPTIONAL: Insert the DPS wire through the hole and pull the wire through the inside trim side above the deadbolt.

Step 6: Align the Mounting Bracket



Align the two mounting brackets posts with the deadbolt latch. Partially screw the top screw.

Step 7: Installing the RIM Cylinder

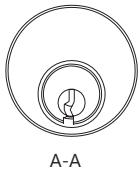


Pass the cylinder through the provided collar and thread the cylinder into the outside escutcheon. Make sure that the cylinder is orientated so that the mounting holes are positioned low as shown.

Screws to secure the cylinder in place will pass through the interior sub-plate to tighten into position.

Once cylinder is secure, test the alignment by using the key to throw and retract the deadbolt.

Once the deadbolt and cylinder are properly aligned, fully tighten the top screw with the screwdriver.



A-A

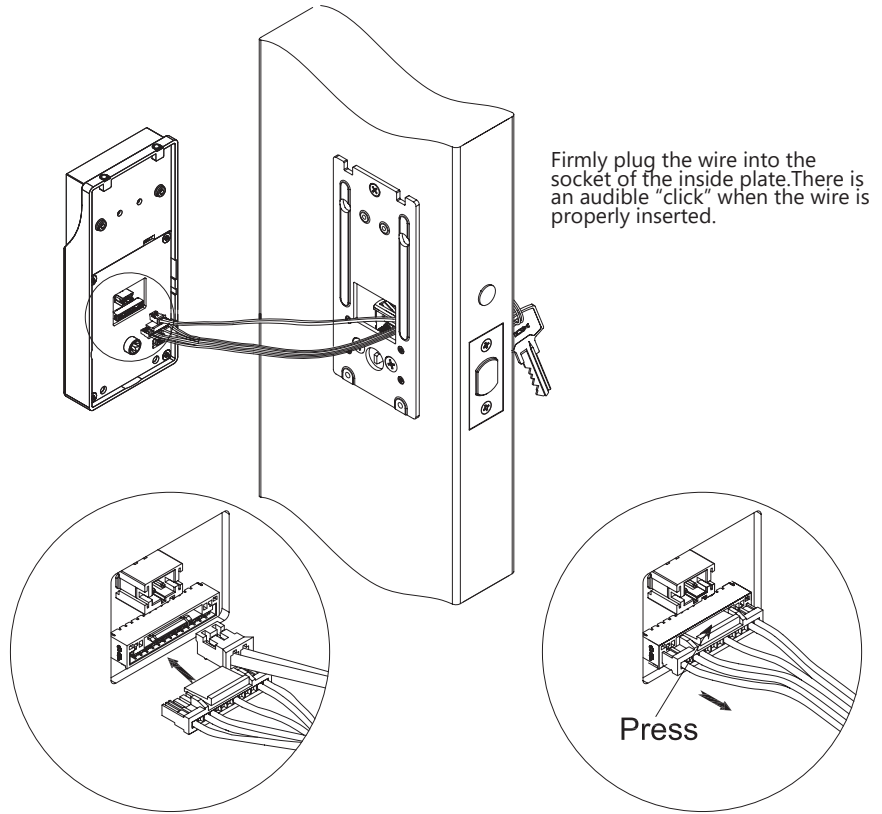


B-B

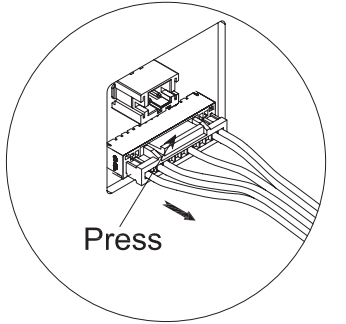
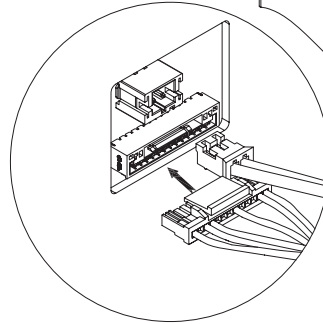
The key slot on the cylinder should be in the lower off-center position. See Section A-A.

Set the outside tailpiece to the vertical position WITHOUT using the keys. See Section B-B.

Step 8: Connect Wire to Interior Trim



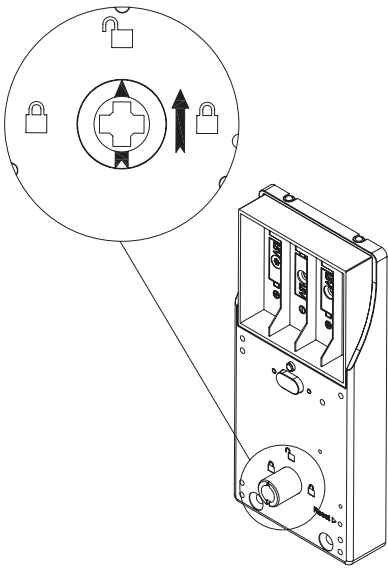
Firmly plug the wire into the socket of the inside plate. There is an audible "click" when the wire is properly inserted.



Press

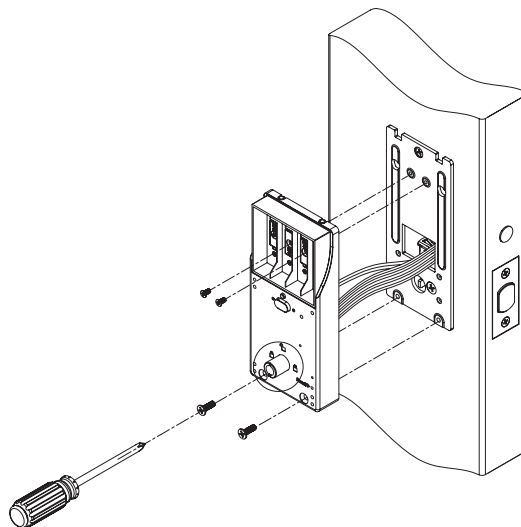
Top receptacle is for DPS and the bottom receptacle is for wires from the outside trim.

Step 9: Mounting Interior Trim



Turn the arrow of the inside plate spindle to the unlocked icon position as shown. The arrow on the spindle should point up.

Step 10: Mounting Interior Trim (Cont.)

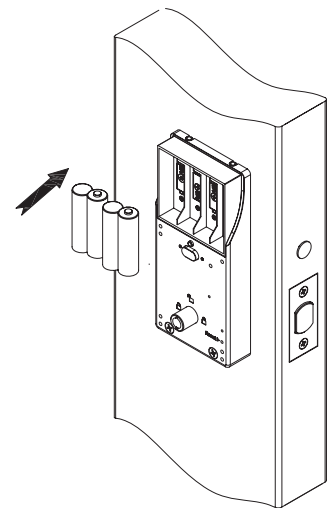


Pass the wire through the hole of the sub-plate into the door before mounting the inside plate. Insert and tighten the 2 x M4x20mm screws and 2 x M3x6mm screws to the sub-plate. Rotate the thumbturn post to make sure the deadbolt can project and retract normally.

NOTE: Make sure to pass the wires through the wire hole and into the door before tightening the sub-plate to avoid pinching or cutting the wire with the sub-plate.

WARNING: Motor initial setting requires deadbolt to be in the retracted position.

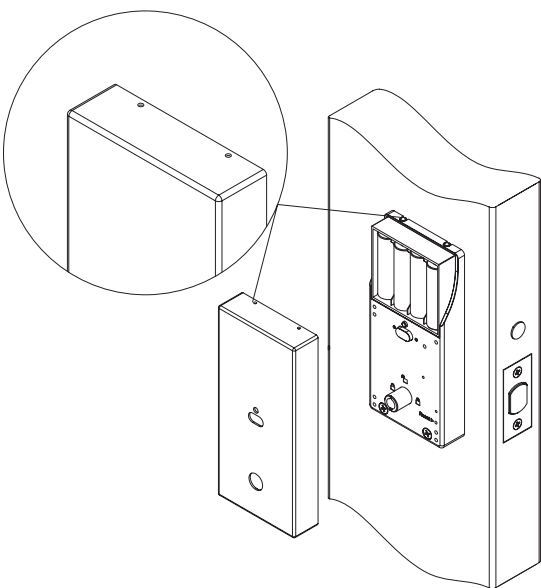
Step 11: Installing Batteries



Ensure that the deadbolt is in the retracted position before installing the four (4) AA batteries. Align the batteries to the correct polarity in the compartment.

NOTE: After a short delay, the lock will activate with audio and light confirmation.

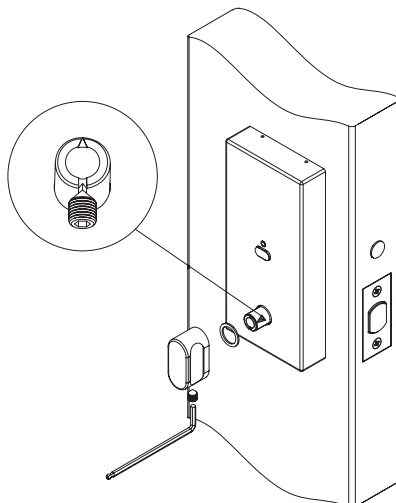
Step 12: Mounting Interior Plate Cover



Push the inside cover plate onto the inside subplate and click the interior cover plate into place. Ensure the cover plate is securely attached by the ball bearing on top of the escutcheon.

When the batteries are low or need to be replaced, first remove the thumbturn from the inside escutcheon, then slide the cover plate over the thumbturn post to access the battery pack. Replace all (4) AA batteries at the same time.

Step 13: Installing Thumbturn



Place the clear washer onto the thumbturn hub. Align the thumbturn set screw to the groove of the spindle. Tighten the set screw using the Allen Key.

