

ISGW-BZ31-WH

Plug-in Gateway



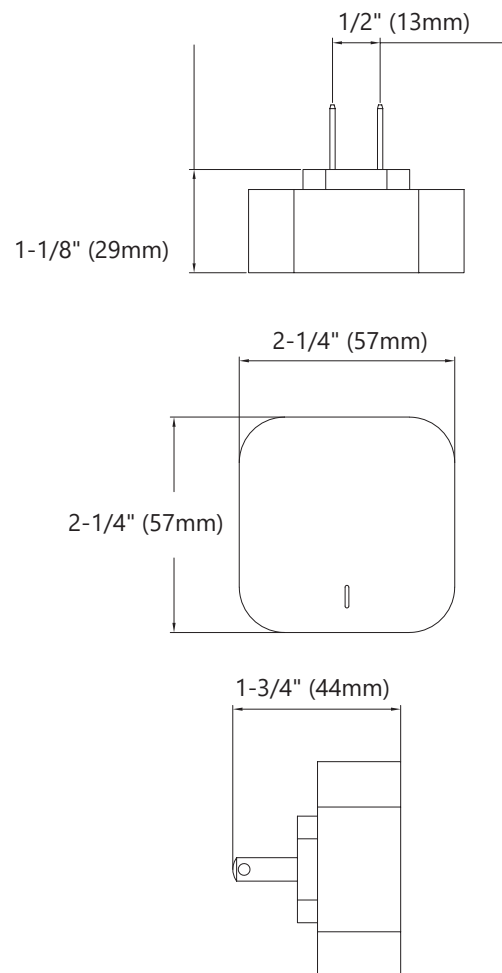
SPECIFICATIONS

Communication Protocol	BLU - Bluetooth
	Wi-Fi - Wireless
	Zigbee - Wireless Personal Area Network
Protocol Specs	BLU - 4.2, 802.11n
	Wi-Fi - 802.11bgn
	Zigbee - 3.0 IEEE 802.15.4
Power Input	110V US Outlet
Operating Temperature	14° F to 122° F
Dimension	2.2" L x 2.2" W x 0.9" H

FEATURES

- Gateway plugs into any standard 110V Outlet
- Supports upto 128 devices simultaneously
- Gateway allows for remote access through App whenever connected to 4G/5G or the Internet
- Gateway coverage with clear line of sight at 55 ft and connects through two walls at 20 feet

DIMENSIONS



NOTE: This document is provided as a general guide only. While the information herein is believed accurate as of the date of printing, INOX reserves the right to modify and fine-tune new products, and adjustments and revisions may therefore be made to some of these specifications before a final version of this document is released. Exercise due diligence, and contact Unison Hardware, Inc., to inquire about changes to the specifications before beginning any installation of this product.